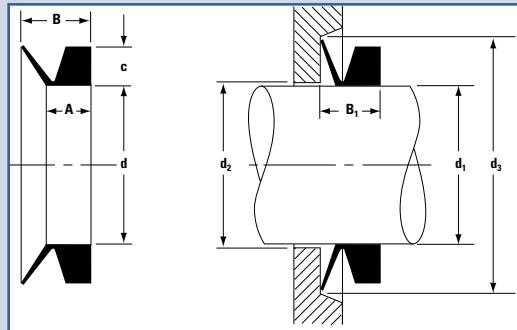


VA Series – Profile Dimensions



VA Series – Assembly Dimensions

DMR PN	Shaft Dia. d1		I.D. d		Height c		Dim. A		Free Width B		Max. d2 = d1 +		Min. d3 = d1 +		Fitted Width B1	
	mm	Inch	mm	Inch	mm	Inch	mm	Inch	mm	Inch	mm	Inch	mm	Inch	mm	Inch
VA-3	2.8 – 3.6	0.11 – 0.14	2.5	0.10	1.5	0.06	2.1	0.08	3	0.12	1	0.04	4	0.16	2.5 ± 0.3	0.10 ± .012
VA-4	3.6 – 4.6	0.14 – 0.18	3.2	0.13	2	0.08	2.4	0.09	3.7	0.15	1	0.04	6	0.25	3.0 ± 0.4	0.12 ± .016
VA-5	4.6 – 5.3	0.18 – 0.21	4	0.16												
VA-6	5.3 – 6.6	0.21 – 0.26	5	0.20												
VA-7	6.6 – 7.9	0.26 – 0.31	6	0.24												
VA-8	7.9 – 9.4	0.31 – 0.37	7	0.28												
VA-10	9.4 – 11.4	0.37 – 0.45	9	0.35	3	0.12	3.4	0.13	5.5	0.22	2	0.08	9	0.35	4.5 ± 0.6	0.18 ± .02
VA-12	11.4 – 12.4	0.45 – 0.49	10.5	0.41												
VA-13	12.4 – 13.5	0.49 – 0.53	11.7	0.46												
VA-14	13.5 – 15.5	0.53 – 0.61	12.5	0.49												
VA-16	15.5 – 17.5	0.61 – 0.69	14	0.55												
VA-18	17.5 – 19	0.69 – 0.75	16	0.63												
VA-20	19 – 21	0.75 – 0.83	18	0.71	4	0.16	4.7	0.18	7.5	0.30	2	0.08	12	0.45	6.0 ± 0.8	0.24 ± .03
VA-22	21 – 24	0.83 – 0.95	20	0.79												
VA-25	24 – 27	0.95 – 1.07	22	0.87												
VA-28	27 – 29	1.07 – 1.14	25	0.98												
VA-30	29 – 31	1.14 – 1.22	27	1.06												
VA-32	31 – 33	1.22 – 1.30	29	1.14												
VA-35	33 – 36	1.30 – 1.42	31	1.22												
VA-38	36 – 38	1.42 – 1.50	34	1.34	5	0.20	5.5	0.21	9	0.35	3	0.12	15	0.60	7.0 ± 1.0	0.28 ± .04
VA-40	38 – 43	1.50 – 1.70	36	1.42												
VA-45	43 – 48	1.70 – 1.89	40	1.57												
VA-50	48 – 5	1.89 – 2.09	45	1.77												
VA-55	53 – 58	2.09 – 2.29	49	1.93												
VA-60	58 – 63	2.29 – 2.48	54	2.13												
VA-65	63 – 68	2.48 – 2.68	58	2.28												
VA-70	68 – 73	2.68 – 2.88	63	2.48												
VA-75	73 – 78	2.88 – 3.07	67	2.64												
VA-80	78 – 83	3.07 – 3.27	72	2.83												
VA-85	83 – 88	3.27 – 3.47	76	2.99												
VA-90	88 – 93	3.47 – 3.66	81	3.19												
VA-95	93 – 98	3.66 – 3.86	85	3.35												

DMR PN	Shaft Dia. d1		I.D. d		Height c		Dim. A		Free Width B		Max. d2 = d1 +		Min. d3 = d1 +		Fitted Width B1	
	mm	Inch	mm	Inch	mm	Inch	mm	Inch	mm	Inch	mm	Inch	mm	Inch	mm	Inch
VA-95	93 – 98	3.66 – 3.86	85	3.35	6	0.24	6.8	0.26	11	0.43	4	0.16	18	0.70	9.0 ± 1.2	0.35 ± .05
VA-100	98 – 105	3.86 – 4.14	90	3.54												
VA-110	105 – 115	4.14 – 4.53	99	3.90	7	0.28	7.9	0.31	12.8	0.50	4	0.16	21	0.80	10.5 ± 1.5	0.41 ± .06
VA-120	115 – 125	4.53 – 4.92	108	4.25												
VA-130	125 – 135	4.92 – 5.32	117	4.61												
VA-140	135 – 145	5.32 – 5.71	126	4.96												
VA-150	145 – 154	5.71 – 6.10	135	5.31												
VA-160	154 – 165	6.10 – 6.50	144	5.67												
VA-170	165 – 175	6.50 – 6.89	153	6.02	8	0.32	9	0.35	14.5	0.57	5	0.20	24	0.95	12 ± 1.8	0.47 ± .07
VA-180	175 – 185	6.89 – 7.29	162	6.38												
VA-190	185 – 195	7.29 – 7.68	171	6.73												
VA-199	195 – 210	7.68 – 8.27	180	7.09	15	0.59	14.3	0.56	25	0.98	10	0.39	45	1.75	20 ± 4.0	0.79 ± .16
VA-200	190 – 210	7.48 – 8.27	180	7.09												
VA-220	210 – 235	8.27 – 9.25	198	7.80												
VA-250	235 – 264	9.25 – 10.43	225	8.86												
VA-275	264 – 290	10.43 – 11.42	247	9.72												
VA-300	290 – 309	11.42 – 12.20	270	10.63												
VA-325	309 – 335	12.20 – 13.19	292	11.50												
VA-350	335 – 365	13.19 – 14.37	315	12.40												
VA-375	365 – 389	14.37 – 15.35	337	13.27												
VA-400	389 – 430	15.35 – 16.93	360	14.17												
VA-450	430 – 480	16.93 – 18.90	405	15.94												
VA-500	480 – 530	18.90 – 20.87	450	17.72												
VA-550	530 – 579	20.87 – 22.83	495	19.49												
VA-600	579 – 629	22.83 – 24.80	540	21.26												
VA-650	629 – 665	24.80 – 26.18	600	23.62												
VA-700	665 – 705	26.18 – 27.76	630	24.80												
VA-725	705 – 745	27.76 – 29.33	670	26.38												
VA-750	745 – 785	29.33 – 30.91	705	27.76												
VA-800	785 – 830	30.91 – 32.68	745	29.33												
VA-850	830 – 875	32.68 – 34.45	785	30.91												
VA-900	875 – 920	34.45 – 36.22	825	32.48												
VA-950	920 – 964	36.22 – 37.99	865	34.06												
VA-1000	964 – 1015	37.99 – 39.96	910	35.83												
VA-1050	1015 – 1065	39.96 – 41.93	955	37.60												
VA-1100	1065 – 1115	41.93 – 43.90	1000	39.37												
VA-1150	1115 – 1165	43.90 – 45.87	1045	41.14												
VA-1200	1165 – 1215	45.87 – 47.84	1090	42.91												
VA-1250	1215 – 1270	47.84 – 50.00	1135	44.69												
VA-1300	1270 – 1320	50.00 – 51.97	1180	46.46												
VA-1350	1320 – 1370	51.97 – 53.94	1225	48.23												
VA-1400	1370 – 1420	53.94 – 55.91	1270	50.00												
VA-1450	1420 – 1469	55.91 – 57.87	1315	51.77												
VA-1500	1469 – 1519	57.87 – 59.84	1360	53.54												
VA-1550	1519 – 1570	59.84 – 61.81	1405	55.32												
VA-1600	1570 – 1620	61.81 – 63.78	1450	57.09												
VA-1650	1620 – 1670	63.78 – 65.75	1495	58.86												
VA-1700	1670 – 1720	65.75 – 67.72	1540	60.63												
VA-1750	1720 – 1770	67.72 – 69.69	1585	62.40												
VA-1800	1770 – 1819	69.69 – 71.65	1630	64.17												
VA-1850	1819 – 1869	71.65 – 73.62	1675	65.95												
VA-1900	1869 – 1920	73.62 – 75.59	1720	67.72												
VA-1950	1920 – 1970	75.59 – 77.56	1765	69.49												
VA-2000	1970 – 2020	77.56 – 79.53	1810	71.26												